

**Innovative
Security
System on Chip**

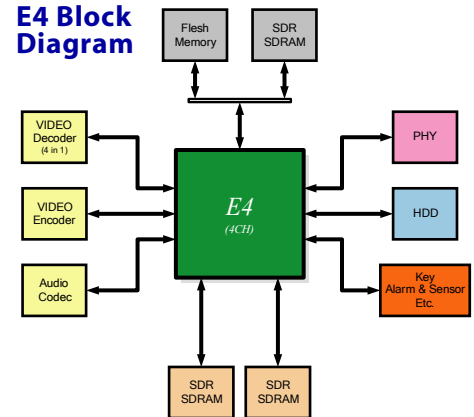
DE4S/H-Jn03-16

4 Channel Security DVR Chip w/LAN

- A brilliant combination of simplicity, cost-savings, and customized service.
- Imagine how simple a DVR board can be...video codec, audio, CPU, and LAN on a single chip.
- Grow your business with higher margins, and please your customers with the benefits of E-Series.
- Our engineers will listen and assist with all your specific needs.



E4 Block Diagram



Target Application

- 4 Channel Standalone LAN DVR

Specifications

| Items | | Descriptions |
|------------------|------------|---|
| Video Standard | | NTSC, PAL |
| Video Input | | 4 Channels CCIR656 |
| Video Output | | 1 Channel CCIR656 |
| Monitoring | Resolution | NTSC : 720 x 480 (Each Ch) PAL : 720 x 576 (Each Ch) |
| | Frame Rate | NTSC : Max. 30 fps (Each Ch) PAL : Max. 25 fps (Each Ch) |
| | Features | Full-D1, 1-CH / 4-CH Display |
| Recording | Resolution | NTSC : 720 x 240 (Each Ch) PAL : 720 x 288 (Each Ch) |
| | Frame Rate | NTSC : Max. 60 fps PAL : Max. 50 fps |
| | Features | Variable Frame Rate / Variable QL per Channel |
| | Quality | 8-Level (Highest~Lowest) |
| Audio | | ADPCM CODEC, 2 Channel Rec. or Play |
| Video | | MPEG4 CODEC |
| Motion Detection | | Internal & External Mode Clock, Settable Window/Level |
| Microprocessor | | 32-bit RISC Processor |
| Operating System | | Linux |
| Network | | TCP/IP Embedded MAC / PHY interface |
| Peripherals | | I2C Master RS232 |
| OSD | | 256 Characters 16 x 24 Font Size 2-bit Color/ 2-bit Attributes / 2-pairs Border Lines |
| Key Scan | | 42 Keys Support |
| Security I/O | | 2 Direct GPIO Expandable Serial IO up to 32 inputs and 32 outputs |
| Package | | 256-pin LQFP Support 4-Layer PCB |